

Projection

Interior

MR16



BP75 Wide

Lighting Services BP75 25-40° low voltage gobo and framing projector. High resolution projector for retail, architectural and themed projects.

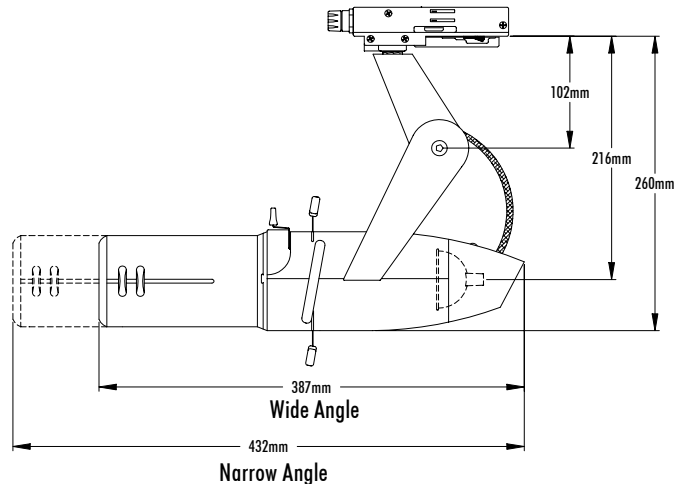


Key Features

- Superb optical quality using polished and multi-coated lenses
- Uses D size (53mm dia) gobo - create custom metal, glass, monochrome or full colour gobos. Optionally there are over 500 catalogue designs available
- Uses 71W MR16 dichroic lamp
- Slide kit allows temporary projection of 35mm slides and acetate transparencies
- Interchangeable accessory cartridge allows quick and easy pattern change

Lamp Options

Q71MR16/C/NSP15° 71W 4000hrs 3050K



Physical

Luminaire – 1.6kg
 Protection – IP65
 Maximum ambient temperature – 35°C
 Maximum surface temperature – 180°C

Electrical

Integral dimmable electronic transformer
 230/240V 50Hz input 11.6/12.0V output
 Lamp max 75W, Max Load 0.33A, Power Factor 0.92

Specification text

Enliten supplied LSI BP75 MR16 25-40° interior gobo projector in Black supplied complete with integral dimmable electronic transformer, accessory holder and 71W lamp

- Specification choices: *Mounting* – LSI track, Eutrac, unistrut, ceiling rose, no mount, *Flex* - standard, coiled cord
- Factory set options (unless otherwise requested): no mount
- Colour choice: black, white, silver, platinum, graphite





BP75 Wide

Ordering Codes

Code	Luminaire	Finish	Cord	Project Price
LSI-EUBP75W-0X-B	BP75 Wide with no mounting	Black	Straight	£375.00
LSI-EUBP75W-00-B	BP75 Wide with LSI track adapter	Black	N/A	£375.00
LSI-EUBP75W-2G-B	BP75 Wide with unistrut adapter	Black	Straight	£375.00
LSI-EUBP75W-6A-B	BP75 Wide with Eutrac adapter	Black	N/A	£375.00
LSI-EUBP75W-CC-B	BP75 Wide with no mounting & coiled cord	Black	Coiled cord	£375.00

For colours other than black, replace –B with the following code: White –W, Silver –S, Platinum –P, Graphite -G

Optional Accessories

Code	Description	Included with fixture	Project Price
GE-Q71MR16CNBP	MR16 lamp 71W 12V Cover Glass 15°	Yes (1)	£ 7.00
LSI-BP75AC-B*	BP75 accessory cartridge for gobo/dichroic filter	Yes (1)	£ 36.00
LSI-BP75SL	Slide Kit for BP75	No	£ 75.00
LSI-BP75GR	Single gobo rotator for BP75	No	£ 535.00
LSI-BP75LK	Locking shutter kit for BP75 to prevent shutter movement	No	£ 22.00
LSI-BP75ER	Enhancing ring (donut) for BP75	No	£ 18.00

* For colours other than black, replace –B with the following code: White –W, Silver –S, Platinum –P, Graphite -G

Photometrics - based on GE-Q71MR16CNBP

Beam Angle	2m	3m	4m	5m
25°	1150lux	510lux	290lux	185lux
CP:4,600	0.6m Ø	1.4m Ø	1.8m Ø	2.3m Ø
40°	550lux	245lux	140lux	90lux
CP:3,700	0.9m Ø	2.6m Ø	3.4m Ø	4.3m Ø

CP - Average Candlepower = (lux) x (throw distance)²

Packed Weights and Dimensions

Luminaire	Unpacked	Packed	Packed Size	Packed Volume
	1.6kg	3.0kg	400x400x250mm	0.051m ³

